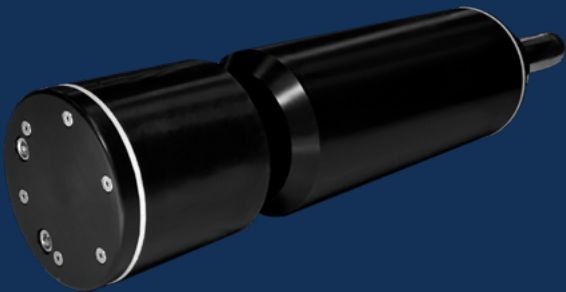


COLOUR PROBE



FEATURES & BENEFITS

- Affordable real-time colour monitoring
- Robust submersible probe for in-situ measurement
- Long-life LED light source
- Operator friendly, low maintenance design
- Easy to install and operate

MUNICIPAL DRINKING WATER
MUNICIPAL WASTEWATER
INDUSTRIAL PROCESS WATER
INDUSTRIAL WASTEWATER

WATER QUALITY
MONITORING
SOLUTIONS

REAL-TIME MONITORING SOLUTION

Colour Probe

Real Tech's robust submersible colour probe provides affordable real-time measurement of colour changes in water. Designed to meet the needs of many monitoring applications, the series offers multiple sensor path length selections for the desired measurement range.

Controllers and Accessories

Our innovative modular product platform allows a system to be configured around the ideal sensor with controller options and various accessory products, including compressed air cleaning systems that lower maintenance while improving system performance, and mounting kits for simple installation and operation. We can truly meet the physical demands of any installation to ensure reliable, continuous operation.

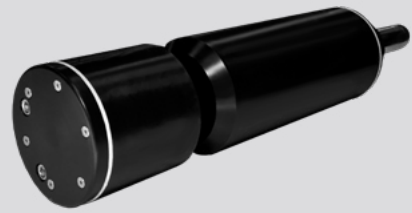
Liquid Ai Compatible

With the right sensor and hardware configuration, we then offer Liquid Ai data services to complement our monitoring systems. Our Remote Monitoring platform is a powerful data management and visualization tool that enables access to data anywhere, anytime.

MEASUREMENT PRINCIPLE

The colour sensor utilizes visible light in the 450-465 nm range to measure hues of yellow in the water. Benefiting from Real Tech's innovative LED technology, accurate and stable measurements are obtained overtime with minimal maintenance or operator intervention.

REALTECH
INC.



COLOUR SPECIFICATIONS

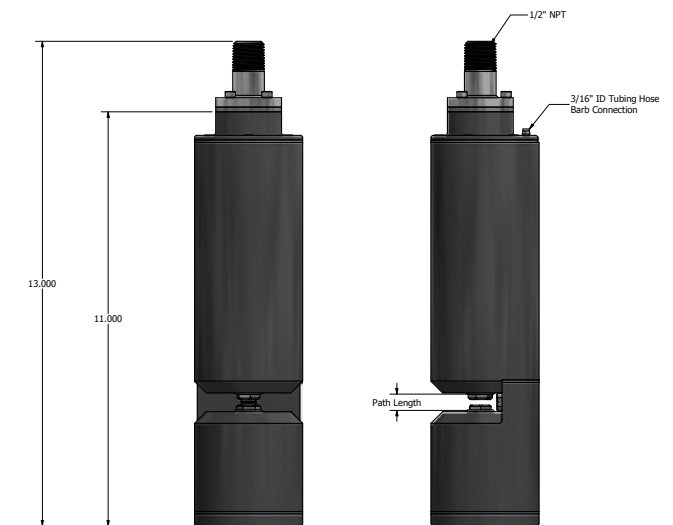
CHARACTERISTIC	TECHNICAL DATA				
	MODEL	CA2010	CA2020	CA2040	CA2100
Path Length	1 mm	2 mm	4 mm	10 mm	
Accuracy	± 0.5% full scale				
Parameters	Colour				
Units	PCU, PtCo or HU (hazen units)				
Sampling Time	10 seconds				
Calibration	Zero to DI water. Factory parameter calibration allows field adjustment as required.				
Cleaning	Real Air Clean automatic pressurized air cleaning system				
Self-Diagnostics	Detection and diagnosis of internal system fault				
Alarms	Continuous detection of leaks, lamp output, humidity, temperature and electrical fault				
Humidity Control	Humidity sensor with desiccant pack				
Wavelength	Visible (VIS)				
Light Source	LED				
Electrical/Comm.	From controller				
Storage Temp.	-20 to 60°C (-4 to 140°F)				
Operating Temp.	0 to 45°C (32 to 113°F)				
Weight	5 lb				
Dimensions	11" H x 2.875" Diameter				
Warranty	2-year limited warranty (Extended care packages available)				

* Technical Specifications are subject to change without notice.

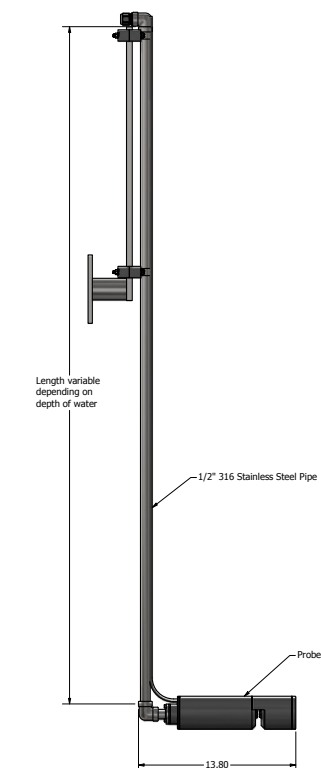
DIMENSIONS

Colour sensors are submersible probe instruments installed directly in-situ using a mounting kit attached to a tank wall or railing.

DIMENSIONS FOR CA PROBE



MOUNTING FOR CA PROBE



MODELS & RANGE

The CA series models include colour probe sensor, 35 feet of communication cable and 35 feet of air tubing. Controller, mounting kit and cleaning system sold separately.

MODEL#	PATH LENGTH	COLOUR (PCU)
CA2010	1 mm	0 - 10,000
CA2020	2 mm	0 - 5,000
CA2040	4 mm	0 - 2,500
CA2100	10 mm	0 - 1,000

* Stated ranges are based on testing in deionized water. Interfering substances that may be present in the water may reduce the upper end of the measuring range. Please contact Real Tech to confirm model selection.

CONTROLLERS

PRODUCT #	NAME	DESCRIPTION
S-169000	Real Controller	Wall mounted controller with 4-line x 20-character back lit LCD display for sensors
S-11TPC	Real Controller Pro	Wall mounted controller with touch panel PC interface
S-11TPCD	Real Controller Pro	Wall mounted controller with touch panel PC interface

ACCESSORIES

PRODUCT #	NAME	DESCRIPTION
S-188101	Air Clean System I	Air cleaning valve module requires on-site air (no compressor)
S-188102	Air Clean System II	Low power automatic CO ₂ air cleaning system
S-188103	Air Clean System III	Automatic compressed air cleaning system including compressor
S-189031	LED Probe Mounting Kit I	Provides secure mounting attachment to a tank wall or open channel wall for sensor. No pole included
S-189032	LED Probe Mounting Kit II	Provides secure mounting attachment to a tank wall or open channel wall for sensor. 5ft pole included
S-189033	LED Probe Mounting Kit III	Provides secure mounting attachment to a tank wall or open channel wall for sensor. 10ft pole included

Real Tech Inc.

1150 Champlain Court,
Whitby, Ontario L1N 6K9 Canada
TF: 1.877.779.2888 T: 1.905.665.6888
info@realtechwater.com

REALTECH
INC.